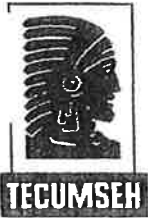


AWA2479ZXDXC

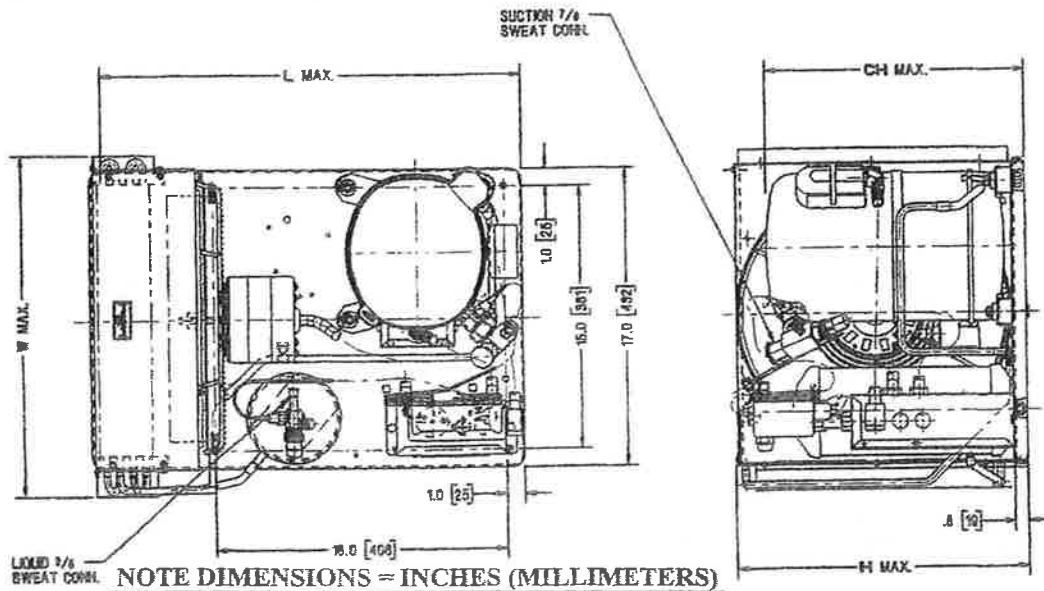
Date: Jan. 10, 1999

Revision 2003



# TECUMSEH HERMETIC CONDENSING UNITS

MODEL AWA2479ZXDXC (B/M 2C2114-9) R-404A 2 HP AIR COOLED



POE

Model	Dimensions				*Line Connection		Pumpdown 90° F 90% Full	Air CFM	Oil Chg oz.	Gr. Wt. Lbs.
	L	W	H	CH	Suct.	Liq.				
AWA2479ZXDXC	24.0	19.4	16.2	15.6	7/8S	3/8S	9.8#	1530	38	119

\*F=Flare, S=Solder, RF or RS= Rotolock Valve with Flare or Solder Connections  
Factory charge: 20 psig nitrogen - MUST BE EVACUATED 60 HZ PERFORMANCE

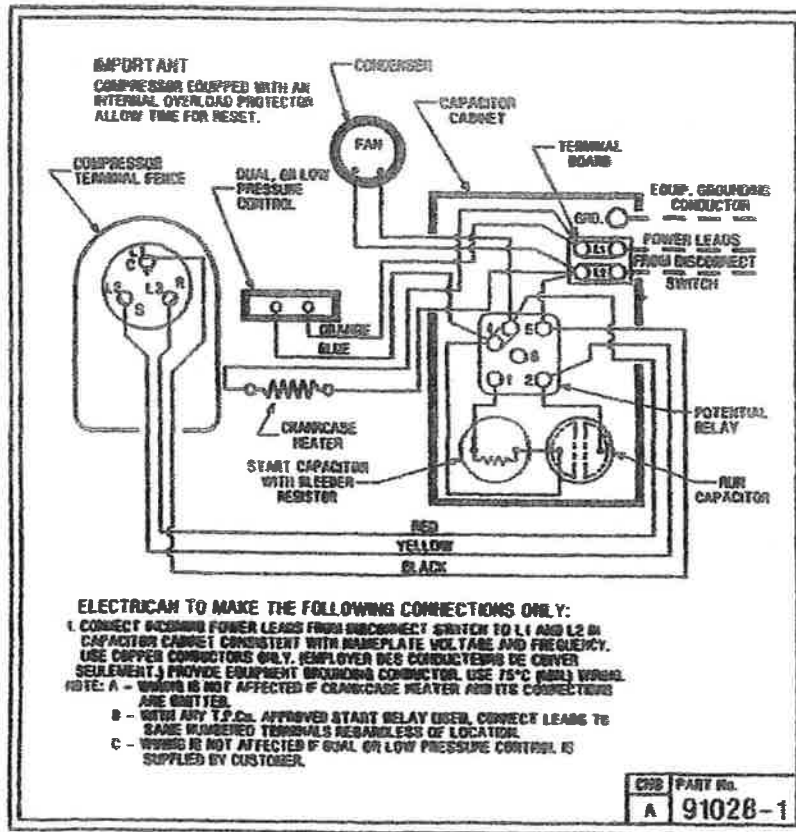
Approved Evap. Range		Ambient								
		90° F			100° F			110° F		
°F	PSIG	BTUH	Watts	Head	BTUH	Watts	Head	BTUH	Watts	Head
-40	4.3	2337	1072	224	2264	1122	260	1739	1058	290
-35	6.8	3196	1207	230	2892	1226	264	2269	1161	296
-30	9.6	4080	1346	236	3561	1339	270	2838	1274	303
-25	12.6	4990	1489	243	4271	1463	276	3446	1400	310
-20	16.0	5925	1636	251	5022	1596	283	4093	1536	318
-15	19.6	6885	1786	259	5814	1740	292	4779	1684	327
-10	23.6	7871	1940	269	6648	1893	301	5504	1843	337
-5	27.9	8882	2098	279	7523	2057	312	6268	2014	347
0	32.6	9918	2260	291	8439	2230	324	7071	2196	359
+5	37.7	10980	2425	303	9396	2414	336	7912	2390	371
+10	43.2	12067	2595	316	10394	2607	350	8793	2595	384

Return gas temp. 40 ° F, 5 ° F subcooling

Date: January 2003  
Unit Catalog Update

<b>SPECIFICATIONS</b>	<b><u>AWA2479ZDXC</u></b>
Nominal Voltage	<u>230/208-1</u>
Unit B/M	<u>2C2114-9</u>
Voltage Range	<u>253 to 187</u>
Min. Circuit Ampacity	<u>17.1</u>
Max. Fuse Size (Amps)	<u>25</u>
<b>Compressor Model</b>	<b><u>AWA2460ZXD</u></b>
Comp. Bill of Material	<u>AW613ET-111</u>
RLA/LRA	<u>12.6/86.0</u>
ESP Overload	<u>Internal</u>
ESP Relay	<u>P82965</u>
Start Capacitor	<u>85PS330D17</u>
Rating	<u>145-175MFD/330V</u>
Run Capacitor	<u>85PR370F21/P85E76</u>
Rating	<u>45MFD/370V</u>
Control	<u>84087 (Dual)</u>

Fan Motor (OEM)	<u>810S050A99</u>
Fan RLA	<u>1.30 RLA</u>
Replacement Motor	<u>TFM502</u>
Fan Motor Bracket	<u>Grd. Mnt.</u>
Fan Blade	<u>51568-1</u>
Shroud	<u>70727-2</u>
Condenser	<u>K42-16</u>
Fan Guard	<u>70831</u>
Receiver Tank	<u>51081-1</u>
Receiver Tank Valve	<u>31581-1 (3/8" S) RL</u>
Suction Rotolock	<u>31529-1 (7/8" S RL)</u>
O' Ring Gasket	<u>30334</u>
Optional Outdoor Enclosure	<u>TP-201D</u>
Crankcase Heater (If Inc)	<u>NA</u>
Unit Drawing	<u>SU1918</u>
Schematic or Elect. Drawing	<u>91028-1</u>



Some parts listed may be optional or listed as replacement parts.