



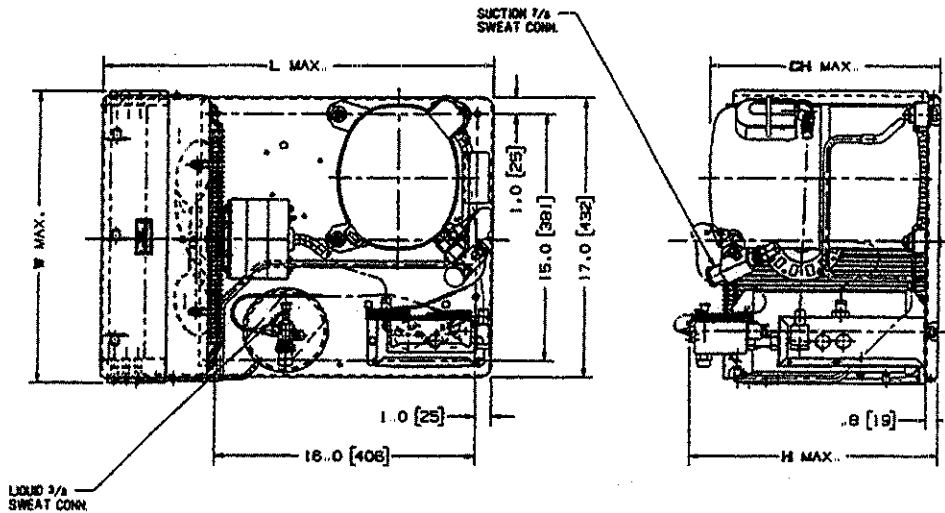
TECUMSEH HERMETIC CONDENSING UNITS

AWA2464ZXDXC

Date: Jan. 10, 1999

Revision 2003

MODEL AWA2464ZXDXC (B/M 2B3224-9) R-404A 1 1/2 HP AIR COOLED



NOTE DIMENSIONS = INCHES (MILLIMETERS)

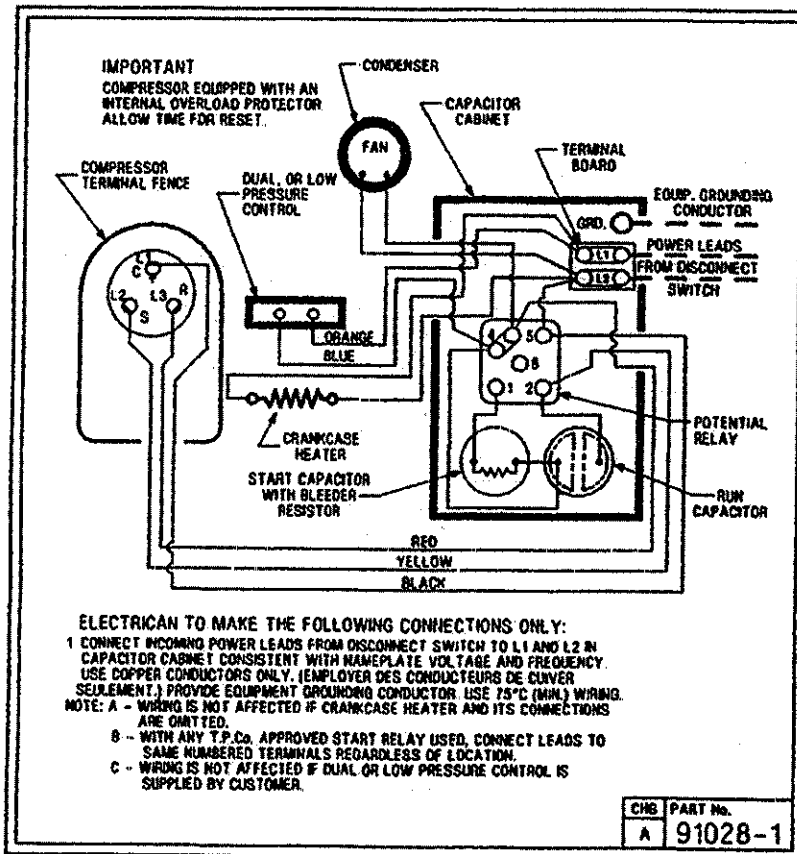
Model	Dimensions				*Line Connection		Pumpdown 90° F 90% Full	Air CFM	Oil Chg oz.	Gr. Wt. Lbs.
	L	W	H	CH	Suct.	Liq.				
AWA2464ZXDXC	24.0	17.8	15.4	14.3	7/8S	3/8S	6.3#	1600	38	130
*F=Flare, S=Solder, RF or RS= Rotolock Valve with Flare or Solder Connections Factory charge: 20 psig nitrogen - MUST BE EVACUATED 60 HZ PERFORMANCE										
Approved Evap. Range		Ambient								
		90° F			100° F			110° F		
°F	PSIG	BTUH	Watts	Head	BTUH	Watts	Head	BTUH	Watts	Head
-40	4.3	2572	1129	242	1966	1065	274	1245	913	304
-35	6.8	3184	1211	250	2532	1150	282	1795	1026	313
-30	9.6	3810	1307	259	3103	1249	290	2339	1147	323
-25	12.6	4449	1416	269	3680	1361	300	2878	1277	334
-20	16.0	5102	1540	281	4263	1486	311	3413	1415	345
-15	19.6	5769	1676	293	4852	1625	323	3942	1562	358
-10	23.6	6450	1827	307	5446	1778	337	4466	1716	371
-5	27.9	7145	1992	321	6047	1944	352	4985	1880	385
0	32.6	7854	2170	337	6653	2123	368	5499	2051	401
+5	37.7	8576	2362	354	7264	2316	385	6008	2231	417
+10	43.2	9313	2567	372	7882	2522	404	6512	2419	434

Return gas temp. 65° F, 5° F subcooling

Date: January 2003
Unit Catalog Update

SPECIFICATIONS AWA2464ZXDXC
 Nominal Voltage 230/208-1
 Unit B/M 2B3224-9
 Voltage Range 253 to 187
 Min. Circuit Ampacity 16.9
 Max. Fuse Size (Amps) 25
Compressor Model AWA2460ZXD
 Comp. Bill of Material AW613ET-111
 RLA/LRA 12.6/86.0
 ESP Overload Internal
 ESP Relay P82965
 Capacitor Cabinet AE1397-032
 Start Capacitor 85PS330D17
 Rating 145-175MFD/330V
 Run Capacitor 85PR370F21/P85E76
 Rating 45MFD/370V
 Control 84087 (Dual)

Fan Motor (OEM) 810S037B01
 Fan RLA 1.10 RLA
 Replacement Motor TFM372
 Fan Motor Bracket Grd. Mnt.
 Fan Blade 51563
 Shroud 70736-1
 Condenser K42-4
 Fan Guard 71062
 Receiver Tank 51081
 Receiver Tank Valve 31581-1 (3/8" S) RL
 Suction Rotolock 31529-1 (7/8" S RL)
 O' Ring Gasket 30334
 Optional Outdoor Enclosure TP-201D
 Crankcase Heater (If Inc) NA
 Unit Drawing SU1918-13
 Schematic or Elect. Drawing 91028-1



Some parts listed may be optional or listed as replacement parts.