

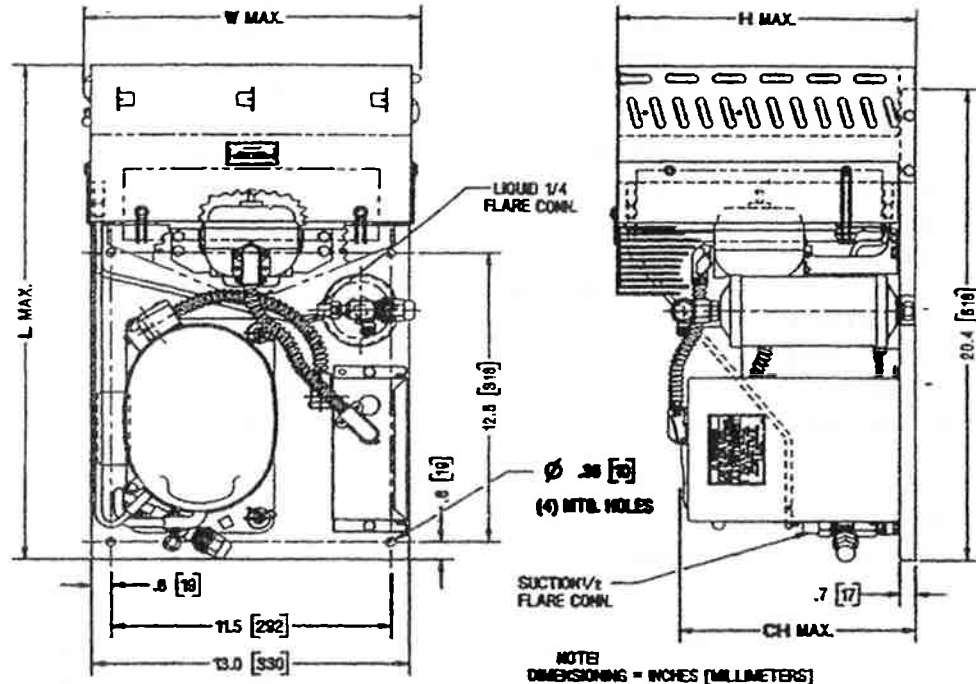


TECUMSEH HERMETIC CONDENSING UNITS

MODEL AKA9440ZXAXC

32D291-1

R-404A 1/2 HP AIR COOLED



Model	Dimensions				*Line Connection		Pumpdown 90° F 90% Full	Air CFM	Oil Chg oz.	Gr. Wt. Lbs.
	L	W	H	CH	Suct.	Liq.				
AKA9440Z**XC	20.6	14.0	13.2	10.0	1/2 F	1/4 F	3.0	575	17	71
*F = Flare, S = Solder, RF or RS = Rotolock Valve with Flare or Solder Connections Factory charge: 20 psig nitrogen - MUST BE EVACUATED 60 HZ Performance										
Approved Evap. Range		Ambient								
		90° F			100° F			110° F		
°F	PSIG	BTUH	Watts	Head	BTUH	Watts	Head	BTUH	Watts	Head
-10	23.9	1700	560	240	1200	500	265	750	420	295
-5	28.2	2000	625	245	1550	580	275	1000	510	305
0	32.8	2375	690	255	1900	660	285	1300	590	315
5	37.9	2775	740	265	2275	730	295	1650	670	325
10	43.3	3200	800	275	2650	790	305	2000	750	335
15	49.2	3650	860	285	3050	850	315	2375	830	345
20	55.5	4050	920	295	3450	910	330	2750	900	360
25	62.2	4500	980	310	3900	975	340	3150	970	370
30	69.5	5000	1040	320	4325	1040	355	3550	1040	385
35	77.2	5525	1100	335	4750	1100	365	3975	1100	395
40	85.5	6050	1160	345	5200	1160	380	—	—	—
45	94.3	6575	1220	360	5650	1220	390	—	—	—
50	103.7	7100	1275	375	6150	1275	405	—	—	—
55	113.7	7600	1330	385	—	—	—	—	—	—

Based on 40° F return gas, 5° F subcooling

SPECIFICATIONS **AKA9440ZXAXC**

Nominal Voltage ----- **115-60-1**

Unit B/M ----- 32D291-1

Voltage Range ----- **126.5 to 103.5**

Min. Circuit Ampacity -- **12.9**

Max. Fuse Size (Amps) -- **20**

Compressor Model ----- **AKA9438ZX**

Bill of Material -- **AK175AT-035-P2**

RLA/LRA ----- **9.2/58.8**

Cap. Cabinet Assy. -- **AE1197-044A**

Overload ----- **8300CRTL45**

Relay ----- **82498-1**

Relay Alternate -----

Start Capacitor --- **85PS125A43**

Rating ----- **378-455/125**

Run Capacitor -----

Rating -----

Fan Motor ----- **810M035A29**

Fan Blade ----- **51541-1**

Fan Guard ----- **71020**

Condenser ----- **50798-2**

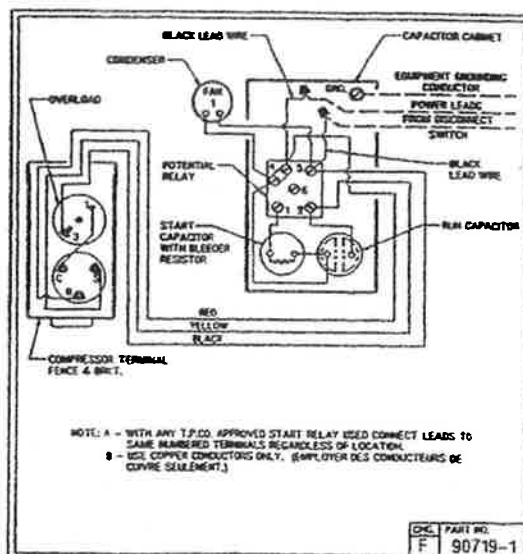
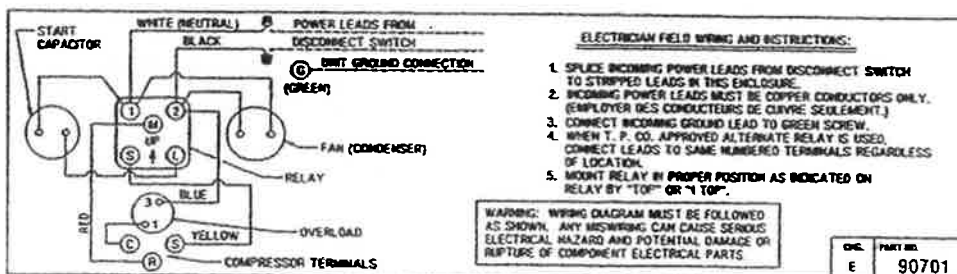
Condenser Shroud ----- **70724-2**

Receiver Tank ----- **51080-1**

Receiver Tank Valve ----- **31584**

Unit Drawing ----- **SU1909-17**

Schematic or Elect. Dwg. ---- **90701** **115-60-1**



I.L. Listed --- (60 HZ only) --- File #SA2372 ----- Card Guide #SGYU
:SA Certified ----- Canadian File #12964C ----- USA File #8873C