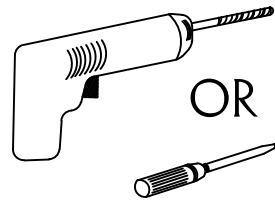


CAM/LOCK HOLE OPENING

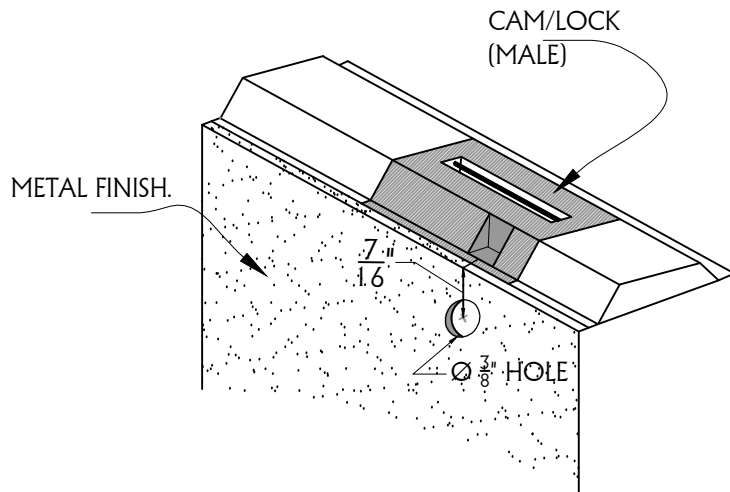


MAKE HOLE USING 3/8"
DRILL BIT OR PUNCH
(SEE DETAIL)

METAL
FINISH.

CAM/ LOCK
(MALE)

CAM/ LOCK
(MALE)



OPEN HOLE DETAIL