



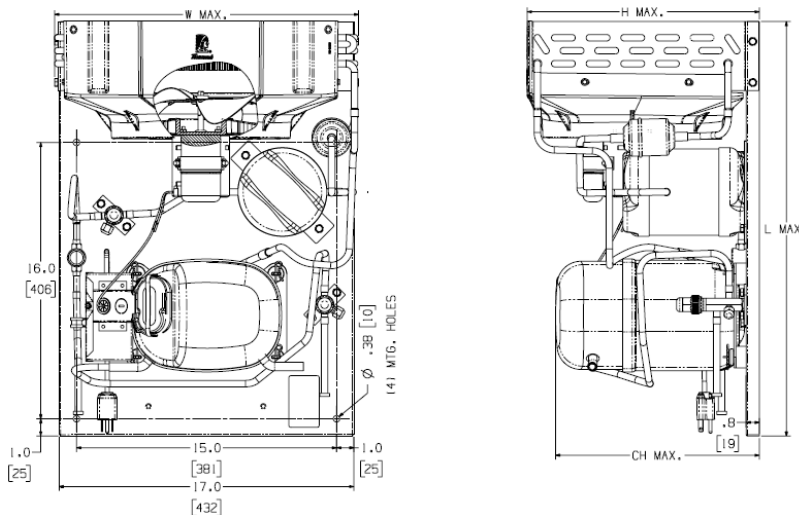
Celseon® Air Cooled Condensing Unit

Model: AJA7480ZNAD*

BoM: 2G1010-**

R-404a

1 HP



Model	Dimensions, inches				Line Connection*		Pumpdown	Air	Oil Ch	Gr. Wt.
	L	W	H	CH	Suction	Liquid	90 °F 90%	SCFM	Oz.	Lbs.
AJA7480ZNADA	24.0	17.5	13.4	11.8	3/8" S	3/8" S	N/A	270	26	76
AJA7480ZNADG					3/8" S	3/8" S	6.1 lbs			77
AJA7480ZNADH					3/8" S	3/8" S	N/A			76
AJA7480ZNADK					3/8" S	3/8" S	6.1 lbs			76
AJA7480ZNADC					3/8" S	3/8" S	6.1 lbs			77
AJA7480ZNADS					3/8" S	3/8" S	N/A			76
AJA7480ZNADJ					3/8" S	3/8" S	6.1 lbs			78
AJA7480ZNADP					3/8" S	3/8" S	6.1 lbs			78

* F = Flare, S = Solder, RF or RS = Rotolock with Flare or Solder Connections, C = Compression Fitting
Factory charge: 20 PSIG Nitrogen – **MUST BE EVACUATED**

Evaporator T,		Ambient Temperatures											
		80°F			90°F			100°F			110°F		
°F	PSIG	BTUH	Watts	Cond T	BTUH	Watts	Cond T	BTUH	Watts	Cond T	BTUH	Watts	Cond T
-10	24.3	5243	1291	104	4586	1293	112	3921	1265	120	3284	1244	128
-5	28.9	5892	1406	107	5181	1415	115	4449	1389	123	3779	1357	131
0	33.4	6524	1519	111	5762	1539	118	4963	1518	126	4251	1487	133
5	39.0	7140	1637	114	6328	1667	121	5463	1651	129	4701	1636	136
10	43.9	7739	1759	117	6880	1798	125	5950	1788	132	5129	1803	139
15	49.8	8322	1886	121	7417	1932	128	6424	1930	135	5535	1988	142
20	56.1	8888	2018	124	7940	2070	131	6883	2076	138	5918	2191	144
25	62.9	9439	2155	127	8448	2210	134	7329	2226	141	6279	2413	147
32	72.5	10181	2354	132	9136	2412	139	7931	2443	145	6748	2753	151
35	77.9	10490	2443	134	9422	2501	141	8181	2538	147	6935	2910	152

60 Hz Performance

Return gas temp. 40°F, 5°F sub cooling

Electrical Diagram Page 3

